

ADIR Semi-automatic screen filters series TS

TAVLIT offers semi-automatic screen filters, models TS, for easy effective filtration. The plastic filters are designed for long life and service in hard conditions and include a strong INOX 316 screen mesh. During operation water enters the filter and dirt is accumulated on the inner surface of the screen and clean water is supplied to the field. When the filter is dirty as shown by the head-loss indicator, the user performs a flushing cycle by opening the drain valve and rotating the handle – Opening the drain valve creates low pressure in the suction nozzles and dirt is sucked from the screen to the nozzles. The rotation of the handle moves the suction nozzles on the entire screen area and remove all the accumulated dirt off the screen – debris is flushed through the drain port out of the filter. During the flushing cycle water flow to the field are uninterrupted. The filters are available in 2" and 3" for flow rates up to 50 m³/h (220 gpm).



Applications:

- Water filtration for agriculture, Turf and industry.
- Intended as control filter in subsections for easy cleaning.
- Most suitable for low quality water sources where the user prefers to clean the filter without dismantling it.

Technical specifications:

- Available sizes: 2" 3" .
- Max working pressure: 10 bar.
- Max. flow rate:
 - 2" 25 m³/h
 - 3" 50 m³/h
- Available in 40 – 140 mesh.
- Min. flushing pressure: 2 bar.
- Flushing flow rate:
 - 5.4 m³/h At 2 bar
 - 6.8 m³/h At 3 bar
- Filtration area: 950 cm²
- Construction materials: Nylon, Polypropylene.

Special Features:

- Water flow to the field is uninterrupted.
- Made from high quality plastics materials.
- High quality and robust SS 316 screen.
- Small foot print and large filtration area.
- Tailor made batteries of filters are available for higher flow rates.
- Optional - Pressure indicator clearly shows when the filter is dirty and needs flushing.

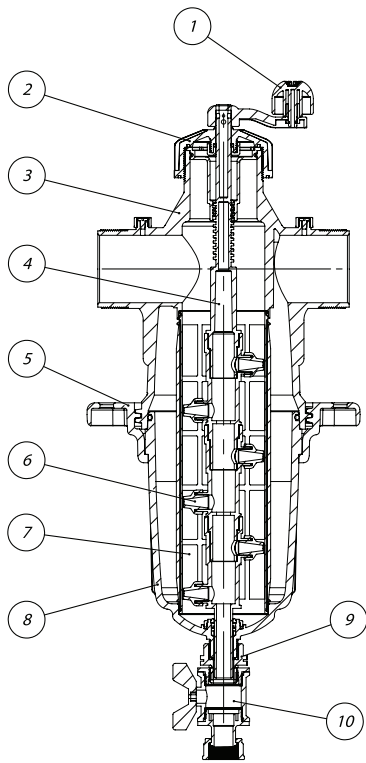
Technical Specification

Size		2"	3"
Flow rate	m ³ /h (gpm)	25 (110)	50 (220)
Screen area	cm ² (inch ²)	950 (150)	950 (150)
Screen element	Mesh (micron)	80 – 200 (200 – 70)	80 – 200 (200 – 70)

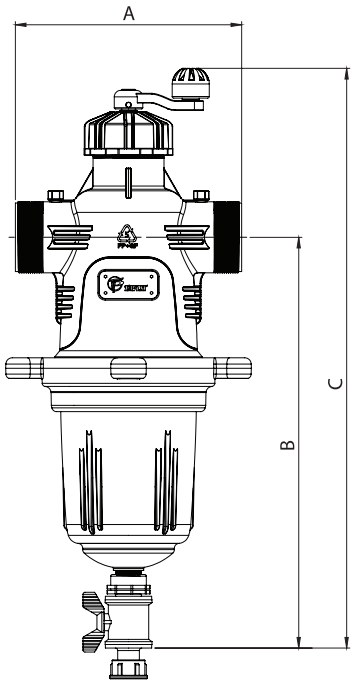
Weight (empty)

size	Weight Kg (lbs)
2"	4.5 (10)
3"	4.5 (10)

ADIR Semi-automatic screen filters series TS

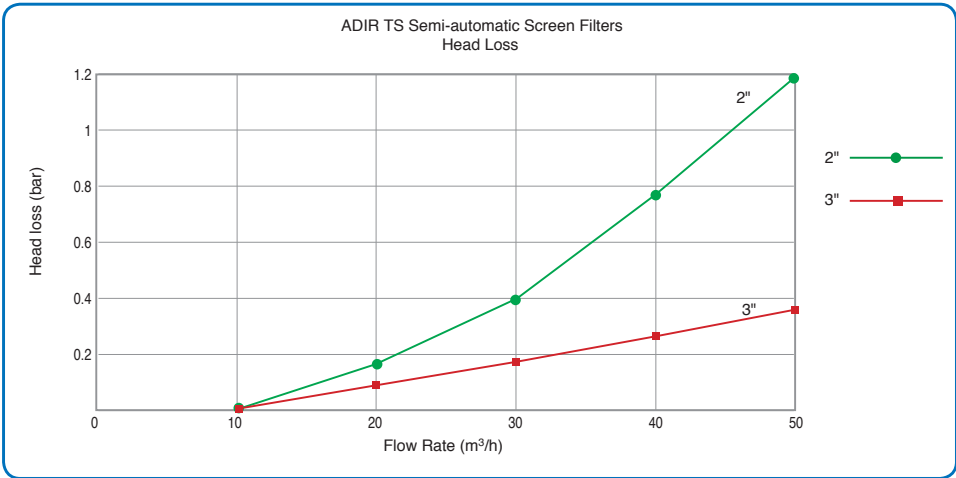


Item No.	Description
1	Handle
2	Cover
3	Filter Body
4	Flush Pipe
5	Locking Ring
5	Nozzle
7	Adir Screen Filter Inox
8	Filter Cup
9	Bushing 1" F / 1" M
10	Flush Valve 1"



Dimensions

Dimensions (mm)	2"	3"
A	280	280
B	490	508
C	720	750



Pressure indicator (optional)

The pressure indicator enables quick and easy way to show the user that the filter is clogged and needs flushing. When pressure loss across the filter element reaches the preset value, usually 0.5 bar (7 psi), the red button pops up and the user can see from a distance that the filter needs flushing. There is no need to perform manual pressure tests. After flushing the button descends into the indicator body. The device, offered as an-add on, is connected directly to the pressure testing ports located on the filter body.



Adir_semi-automatic_05.18_Eng.